

WAYNE COUNTY REAL PROPERTY TAX SERVICE



16 WILLIAM STREET
LYONS, NEW YORK
www.co.wayne.ny.us
UNDER AUTHORITY
OF
WAYNE COUNTY BOARD OF SUPERVISORS

LEGEND

TOWN LINE	-----	ROAD OR RAILROAD BNDY.	-----
VILLAGE LINE	-----	COUNTY LINE	-----
SECTION MAP LIMIT	-----	SEWER DISTRICT LINE	----- S
GREAT LOT LINE	-----	LIGHTING DISTRICT LINE	----- L
SCHOOL DISTRICT LINE	-----SCH	FIRE DISTRICT LINE	----- F
WATER DISTRICT LINE	-----W	DENOTES COMMON OWNER	⊕
GREAT LOT NO.	①	CALCULATED ACREAGE	7.5 A (C)
PROPERTY LINE	-----	DEED ACREAGE	17.5 A
ORIGINAL LOT LINE	-----	SCALED DIMENSION	452 (S)
RAILROAD	-----	DEED DIMENSION	123.8 (D)
STREAM OR DITCH	-----	SECTION & MAP NO.	60118-17
COORDINATE GRID	+	CENTERLINE DIMENSION	671.12 C

SPECIAL DISTRICTS

SCHOOL	NORTH ROSE-WOLCOTT CENTRAL SCHOOL DISTRICT
FIRE	WOLCOTT-RED CREEK FIRE DISTRICT
WATER	REGIONAL WATER STORAGE TANK PROJECT
SEWER	
LIGHTING	

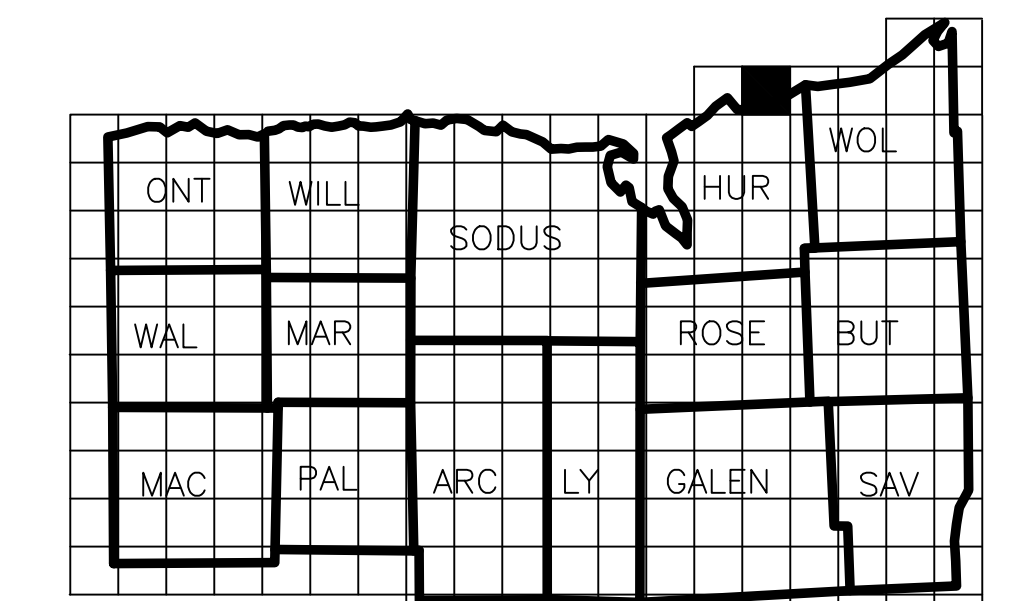
FOR TAX PURPOSES ONLY NOT TO BE USED FOR CONVEYANCE

All tax maps are prepared to the New York State Plane Coordinate System using the 1983 North American Datum (NAD 83). Property lines have been registered to the 1989 Wayne County Photogrammetric Base Map, and as a result, dimensions and areas may vary from legal descriptions. For complete legal descriptions or conveyances, please refer to the appropriate deeds and surveys.

NOTICE OF DISCLAIMER

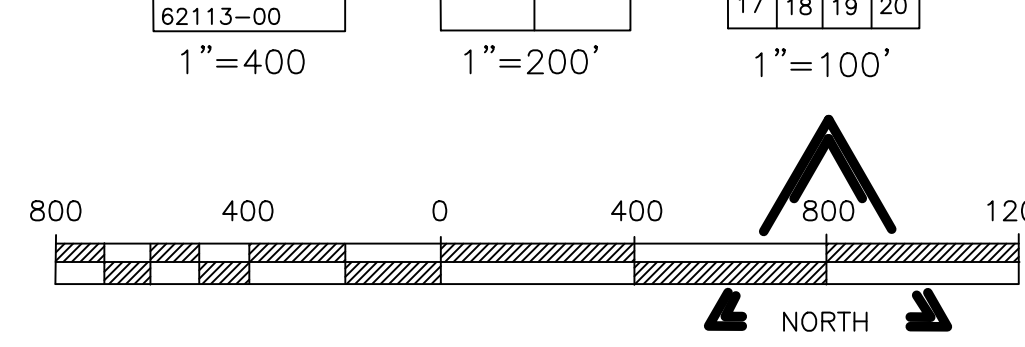
This map represents a compilation of graphical and textual information from deeds and surveys, photogrammetric base maps, and digital conversion of hand drawn maps. Errors and omissions can occur from each of these sources; each source represents a large number of records and registration of information. As a practical matter, the County does not warrant the accuracy or completeness of the information portrayed, and the user of these maps agrees to accept the data as it with the full knowledge that errors and omissions may occur and to hold harmless the County for any damages that may result from an inappropriate use of these maps.

LOCATION MAP



SECTION BREAKDOWN

62113-00	01	02	05	06	07	08
	03	04	09	10	11	12
			13	14	15	16
			17	18	19	20



REAL PROPERTY MAP WAYNE COUNTY, NEW YORK

THESE MAPS ARE COMPILED FOR TAX PURPOSES ONLY

MAP DATE	SECTION NO.	MAP NO.
	74120	00

